

Speaker

Model: OSS24-28-13A3.0W8-W



ELECTRICAL SPECIFICATIONS

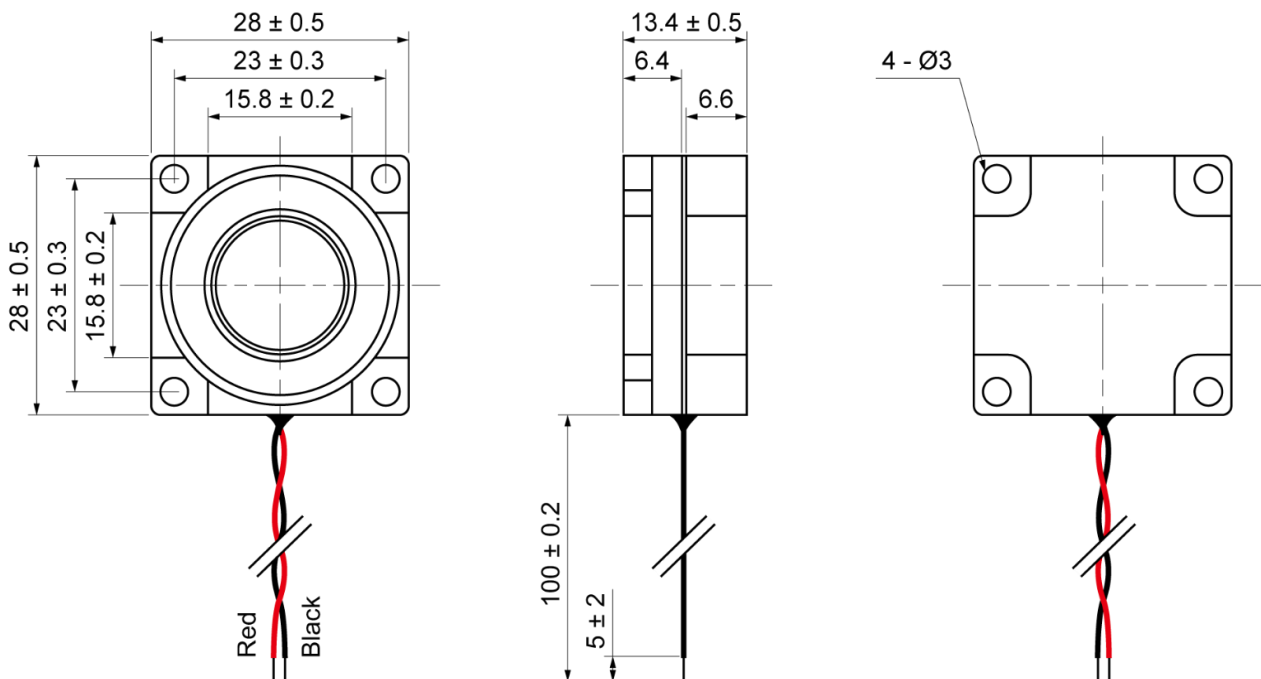
	Condition	Parameter	Unit
Sound Pressure Level	at 1.0W, 0.1M [at 0.8, 1.0, 1.2, 1.5KHz]	89 ± 3	dB
Impedance	at 1V, 1000Hz	8 ± 15%	Ω
Rated Input Power		3	W
Max Input Power		4	W
Resonant Frequency (Fo)	at 1V	750 ± 20%	Hz
Frequency Range		F0 ~ 6000	Hz
Buzzer & Rattles	not be audible at sine wave between F0 ~ 5KHz	4.89	V
Operating Temperature		-20 ~ 60	°C
Magnet		Nd-Fe-B	
Frame Material		ABS	
Cone Material		Mylar	
Weight		16	g

MECHANICAL DRAWING

Dimensions in mm

Wire: 100mm, UL3302, #28 AWG

Tolerance ±0.5mm Except Specified



Speaker

Model: OSS24-28-13A3.0W8-W

FREQUENCY RESPONSE CURVE

